

Chamber Autoclave



SciCan
BRAVO® G4



LEADERSHIP

in Infection Control

Sterilisation is usually the last step of reprocessing, following cleaning, disinfection and maintenance. For critical-use instruments, where sterility is mandatory, this essential step requires both proper use by office staff and reliable performance from the autoclave.

The BRAVO™ G4 Chamber Autoclave is an EN13060 compliant Class B steriliser that addresses the need for speed, capacity, safety, and efficiency.

Its cutting-edge sterilisation technology incorporates both pre-sterilisation vacuum to improve steam penetration and post-sterilisation vacuum to improve drying.

Originally founded in 1957, SciCan develops and manufactures highly innovative infection control products that address the need for speed, flexibility, and efficiency in today's environments.

In 1989, SciCan developed and produced an internationally recognized infection control innovation, the STATIM® Cassette Autoclave. Over the next quarter century, SciCan continued to be at the forefront of technology with the release of the HYDRIM® Instrument Washer-Disinfectors, BRAVO™ Chamber Autoclaves, and G4 Networking Technology.

SciCan is a global leader in infection control specializing in dentistry and ophthalmology in more than 100 countries around the world. Since October 2018 SciCan is part of the COLTENE Group with globally 1,350 employees.

It is very important to me and my team, especially in the time of online sales, to offer you not only the best products but also a service that makes our customers feel well advised and cared for. Please don't hesitate to contact our office for any infection control related questions.

All the best,

John Westermeier

CEO SciCan

SciCan's Full Spectrum Solutions

Helping you get the most out of your sterilisation area and the equipment you put in it.



BRAVO™ G4

Chamber Autoclaves

Your advantages at a glance!



G4 Technology

Connectivity & Data Logging

Allows for reliable load release, documentation and data storage; connects and sends cycle data to your smart devices or computer, providing easily accessible cycle data, and maintenance information. A USB port is also available for cycle data recording.



Flexible Design

The BRAVO™ G4 comes in three chamber sizes: 17L, 22L, and 28L, offering enough capacity to meet the needs of any size practice.

The BRAVO™ G4 footprint allows it to fit in any Stericentre set-up. The versatile chamber sizes allow for the reprocessing of 5 (for 17L and 22L) or 6 (for 28L) trays, or 3 (for 17L and 22L) or 4 (for 28L) cassettes.



Smart & Efficient Features

The BRAVO™ G4 chamber autoclaves offer efficient cycle times, sterilising and drying instruments in as little as 33 minutes.

The delayed start feature allows the user to program cycles to begin at a later time. This is an effective feature when programming test cycles to begin before the start of the day.



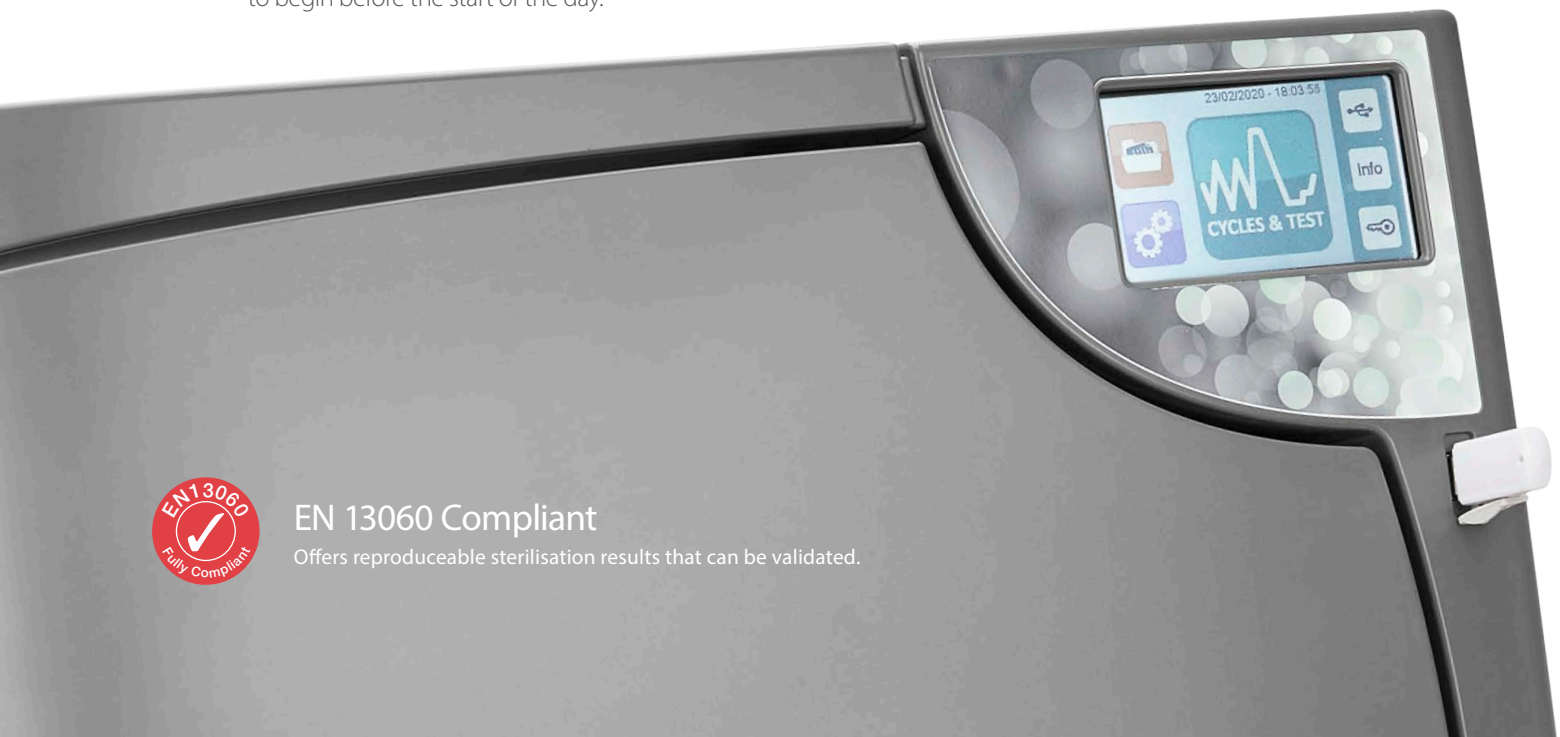
Various Filling Options

The BRAVO™ G4 offers numerous filling and draining options, including manual top and front filling, and automatic filling and draining through ports in the back. The accessory water equipment allows options for any Stericentre set-up.



EN 13060 Compliant

Offers reproducible sterilisation results that can be validated.



Short Cycle Times Using BRAVO™ G4

The BRAVO™ G4 Chamber Autoclave is designed with safety, performance, flexibility, and ease-of-use in mind. BRAVO™ G4 incorporates both a vacuum at the start of the cycle to remove air and ensure perfect steam penetration, and a vacuum at the end of the cycle to remove moist air, so that your instruments are dry the moment you open the door.

The electronic control system monitors the various phases, at the same time checking that the parameters are respected; if any type of anomaly is encountered during the cycle, the program is immediately interrupted, generating an alarm identified by a code, with a relative message explaining the nature of the problem.

With this type of control, when you select a suitable sterilisation program, you are guaranteed effective sterilisation under any conditions.



Cycle Times

Cycle	Cycle Type	17L		22L		28L	
		Cycle Time (mins)	Max Load (kg)	Cycle Time (mins)	Max Load (kg)	Cycle Time (mins)	Max Load (kg)
134°C Universal	B	42	6	46	7.5	56	9
134°C Hollow Unwrapped	S	35	6	39	7.5	44	9
134°C Solid Wrapped	S	33	6	39	7.5	45	9
134°C Prion	B	56	6	60	7.5	70	9
121°C Universal	B	58	6	63	7.5	69	9
134°C Helix Test	N/A	20	N/A	24	N/A	24	N/A
Vacuum Test	N/A	18	N/A	18	N/A	18	N/A
Custom (134°C or 121°C)	N/A	N/A	N/A	N/A	N/A	N/A	N/A

Delayed Start

Every cycle features a delayed start option to help coordinate sterilisation with your workflow.



Ideal for allowing test cycles (Vacuum and Helix) to run prior to the office opening.

G4 Technology

Easy cycle data handling

A special feature of the BRAVO™ G4 units is the innovative G4 Technology. A large touch screen provides in-depth cycle information and allows users to view current operations.

The BRAVO™ G4 offers WiFi connectivity and an integrated Ethernet port, allowing the units to connect to the office network and send cycle data to smart devices or computer, providing easily accessible cycle data and maintenance information. To help optimize office processes, the BRAVO™ G4 can be configured to email cycle information or error messages directly to office staff and/or service technicians.

Cycle data is automatically saved internally, and can also be downloaded onto a USB, emailed, or printed using a network printer. This is a unique feature to SciCan's G4 units that has been specifically designed for meeting the growing legal demand of physical filing of cycle data. The BRAVO™ G4 units also have a traceability feature that requires a user code when releasing a load.

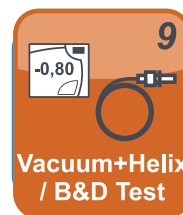
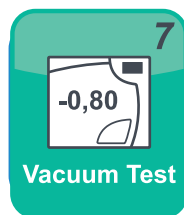


The SciCan G4 Family



Test Programs

The BRAVO™ G4 offers two test programs to periodically check the unit's effectiveness: a Vacuum Test, a Helix Test, and a test cycle that performs the Vacuum and Helix Test sequentially. This feature, along with the delayed start, will improve efficiency in the Stericentre by allowing the test cycles to be complete when the office opens.



Perform tests in sequence to improve efficiency.



- | | |
|--|--|
| <ul style="list-style-type: none"> 1. Sterilisation chamber 2. Control panel and LCD screen 3. USB 4. Door locking system 5. Bacteriological filter | <ul style="list-style-type: none"> 6. Water top-up quick connector 7. Water drainage quick connector 8. Anti-dust filter 9. Steam diffuser 10. Waste water drainage quick connector |
|--|--|

Filling Options

The BRAVO™ G4 offers a number of different options for filling the reservoir:



Manual filling via front port



Manual filling via top reservoir port

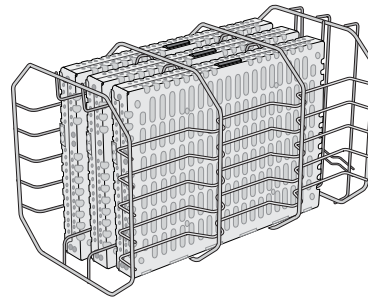


Automatic filling via the rear port

Load Configurations



BRAVO™ G4 17L

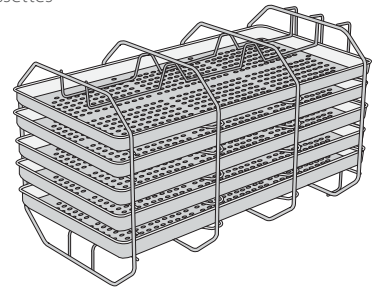


3 CASSETTES

17L: Full-size Cassettes
22L: Oral Surgery Cassettes



BRAVO™ G4 22L

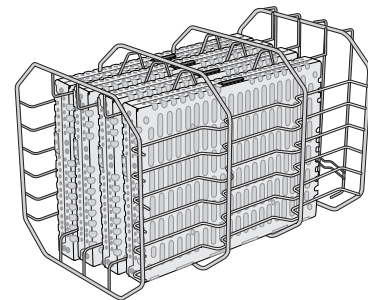


5 TRAYS

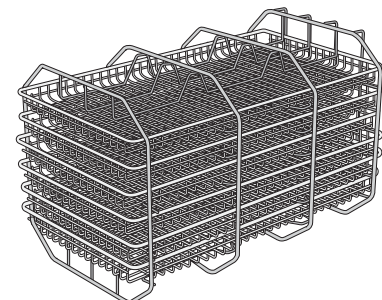
17L: 20 pouches
22L: 25 pouches



BRAVO™ G4 28L



4 ORAL SURGERY CASSETTES



6 TRAYS

30 pouches

Specifications

To better serve the needs of your practice, BRAVO™ G4 Chamber Autoclaves are available in three chamber volumes: 17L, 22L, and 28L.



BRAVO™ G4
17L Chamber



BRAVO™ G4
22L Chamber



BRAVO™ G4
28L Chamber

Specifications	BRAVO™ G4 17L	BRAVO™ G4 22L	BRAVO™ G4 28L
Machine Dimensions (Length x Width x Height):	600mm x 480mm x 456mm		
Sterilisation Chamber Volume:	17 L	22 L	28 L
Water Reservoir Volume:	5.5 L		
Weight (without Water):	51 kg	53 kg	56 kg
Clearance Required (Top x Sides x Back):	20mm x 20mm x 70mm		
PRV Value (Pressure Relief Valve):	2.4 bar		
Electrical Rating:	220V - 240V ~ 50 Hz, 10A 220V - 240V ~ 60 Hz, 10A		
Nominal Power:	2300 W		
Protection Class:	I		
Protection:	Covered		
Ambient Operating Temperature:	15°C – 35°C		
Sound Levels:	< 67 db (A)		
Relative Humidity:	Between 20% and 80% max non-condensing		
Min./Max. Altitude:	Min. -100m / Max. 3000 m		
Max. Water Consumption:	600 ml/cycle	750 ml/cycle	950 ml/cycle
Conductivity:	< 15 µS/cm		
Total Heat Transmitted (1 Hour of Continuous Operation):	3.6 MJ	4 MJ	5.4 MJ
Weight Load with Reservoir Full and Maximum Load:	62.5 kg	66 kg	70.5 kg

BRAVO™ G4 Accessories, Spare Parts and Consumables

BRAVO™ G4

97400145	Door Gasket (17L/22L)
97467176	Door Gasket (28L)
97290160	Bacteriological Filter
97290210	Chamber Anti-Dust Filter
97668162	USB (4 GB)
99950390	Chamber Rack 17L
99950317	Chamber Rack 22L
99951041	Chamber Rack 28L
99951317	Tray 17L
99951318	Tray 22L
99951042	Tray 28L
97467066	Tray Extractor



Pure 500 Demineraliser

Reverse Osmosis Water Purification System for feeding an autoclave with high quality demineralised water, eliminating both organic and inorganic substances.

Directly connected to the steriliser, with notifications from the autoclave for when the filters need replacing.

External dimensions (WxHxD): 461 x 328 x 206 mm
M7C200011



Pure 100 Demineraliser

Water Purification System with Ion Exchange Resin Cartridges for feeding an autoclave with high quality demineralised water.

Directly connected and fully controlled by the steriliser, with notifications from the autoclave for when the cartridges need replacing.

External dimensions (WxHxD): 366 x 365 x 143 mm
M7C200010

SciCan S.P.E.C.™

“ A well designed Stericentre should improve **Safety**, ensure **Predictable** results, maximize **Efficiency**, and maintain **Compliance**. ”

What is it?

An often overlooked part of many practices is the sterilisation area, which is the heart of every practice. If instruments can't efficiently flow into and out of the sterilisation area, the rest of the practice will suffer. To help you design your sterilisation area the right way, SciCan has created the S.P.E.C. sterilisation area and instrument reprocessing framework.

Follow SciCan's S.P.E.C.s, to get the most out of your sterilisation area and the equipment you put in it.



Safe

Dental instruments should be processed in the safest and most efficient way possible to reduce the risk of staff injury and the costs associated with exposure incidents. It is not only important to prevent exposures from sharps, but also from biologically contaminated fluids and aerosols generated by open-lid ultrasonic cleaning and cold sterile solutions. Systems should also be in place to ensure that instruments are safe for use on patients by preventing contamination of instruments after they are processed.

Predictable

To avoid delays and interruptions in your clinical workflow, you need to be able to count on having clean, sterile, and dry instruments every time you need them. You also want to be confident that contaminated instruments can flow through the reprocessing steps in your sterilisation area quickly and consistently every time. Automation, redundancy, and reliability are the 3 keys to ensuring that this happens.

Efficient

Speed comes from using processes and equipment that maximize efficiency and reduce manual labour. This applies to the way instruments flow through your office and sterilisation area, as well as the equipment you use to reprocess instruments. Manual labour should be eliminated wherever possible, so that dental staff can focus on tasks that can't be automated, such as operatory cleanup and preparation.

Compliant

Instrument reprocessing should meet or exceed all European standards and guidelines, and the RKI Guidelines in Germany. This not only protects dental staff and their patients, but it also protects the office from costly and reputation-damaging infection control violations. Designing your sterilisation area with compliance in mind from the start is the easiest way to make sure that you maintain compliance.

SciCan




† Manufactured by: 
CEFLA S.C.
Via Selice Provinciale 23/A
40026 Imola (Bo), Italy
T +39 0542 653111
F +39 0542 653344


Head Office:
SciCan Ltd.
1440 Don Mills Rd.
Toronto, ON, Canada, M3B 3P9
T +1 416 445 1600
TF +1 800 667 7733
customerservice@scican.com

Distributed by:
SciCan GmbH
Wangener Strasse 78
88299 Leutkirch, Deutschland
T +49 (0)7561 98343 0
F +49 (0)7561 98343 699
customerservice_eu@scican.com

Office for Swiss Customers:
SciCan Medtech AG
Alpenstrasse 14
6300 Zug, Switzerland
T +41 (0) 41 727 7027
F +41 (0) 41 727 7029
switzerland@scican.com

* Manufactured by: 
SciCan Ltd.
1440 Don Mills Rd.
Toronto, ON
Canada M3B 3P9

‡ Manufactured by: 
Coltène/Whaledent AG
Feldwiesenstrasse 20, 9450
Altstätten, Switzerland

* Manufactured by: 
Sycotec GmbH & Co.KG
Wangener Strasse 78, 88299
Leutkirch, Germany

STATIM, HYDRIM, and OPTIM are registered trademarks and BRAVO, STATMATIC, and SciCan SPEC are trademarks of SciCan Ltd. BioSonic is a registered trademark of Coltène/Whaledent Inc.

SD-582 EU EN R2

www.scican.com

 **COLTENE**