

STATCOOL

Direct-to-Drain System for use with all STATIM Models

Système d'évacuation directe à utiliser avec tous les modèles STATIM

SWC500

Operator's Manual

Manuel d'utilisation (p.10)



Patented.

Visit PatentDetail.com for more information.

Breveté. Rendez-vous sur PatentDetail.com pour de plus amples informations.



Includes QAI-Certified VersaCheck® QC Dual Check Backflow Preventer.

Comprend un dispositif antirefoulement à double contrôle VersaCheck® QC certifié QAI.

SciCan

Introduction

STATCOOL is a patented system designed to eliminate the need for autoclave condenser waste bottles by cooling the exhaust water and automatically sending it directly down the drain.

- › **Protects plumbing** by reducing drain exposure to high heat.
- › **Eliminates steam and moisture buildup** caused by storing hot waste bottles in enclosed cabinets.
- › **Improves staff safety** by removing the need to handle the hot exhaust wastewater bottle.
- › **Installs neatly inside cabinetry**, fitting securely along the cabinet wall beneath the counter.
- › **Cools exhaust wastewater** for up to two STATIM autoclaves.

Important information

For System Owners

We recommend that a professional technician or plumber familiar with dental/medical offices perform the installation since interface with a cold water line and drain is involved. They should be familiar with local plumbing codes and techniques for successful dental/medical equipment installations.

IMPORTANT! Failure to install correctly could result in water leaks, leading to possible water damage. It is the responsibility of the system owner to validate the use of all equipment within its installed environment.

CAUTION! Burn risk. Do not operate the STATIM without the STATCOOL cold water supply ON. If the cold water supply is turned OFF while the STATIM is running, the STATCOOL may become hot and could cause burns if touched.

IMPORTANT! The STATCOOL system should be set in the closed position at the end of each working day. See Using the STATCOOL for details.

For System Installers

Please read this entire manual before proceeding with installation and operation, and always follow local plumbing codes. STATCOOL systems have only been verified for installation on STATIM autoclaves (all models).

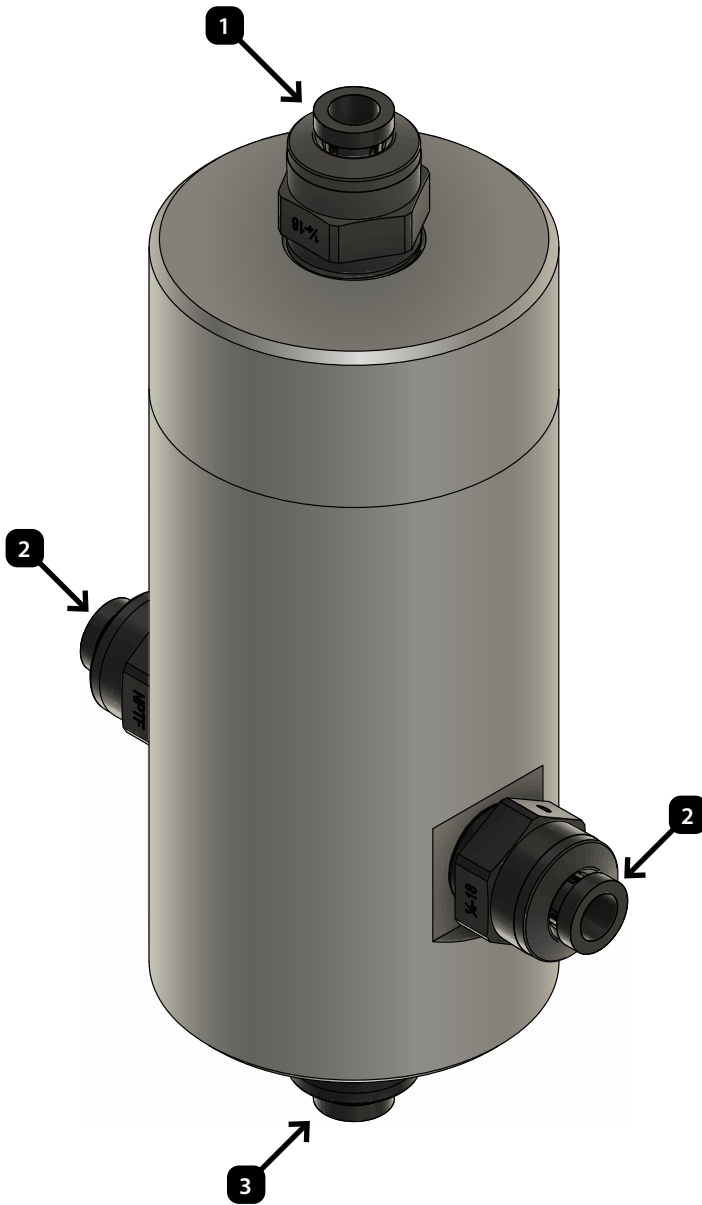
Please check with the manufacturer of other brands of autoclaves before connecting.

⚠ The STATCOOL must be installed so that the unit is below the level of the STATIM autoclave, but above the connection to the drain adapter (via the included quick-connect drain saddle or the optional DrainDock accessory).


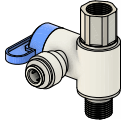




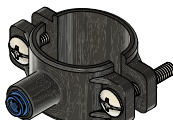


Check for leaks and run the autoclave(s) for at least two consecutive cycles after installation to ensure the system is operating properly.

Unit Overview

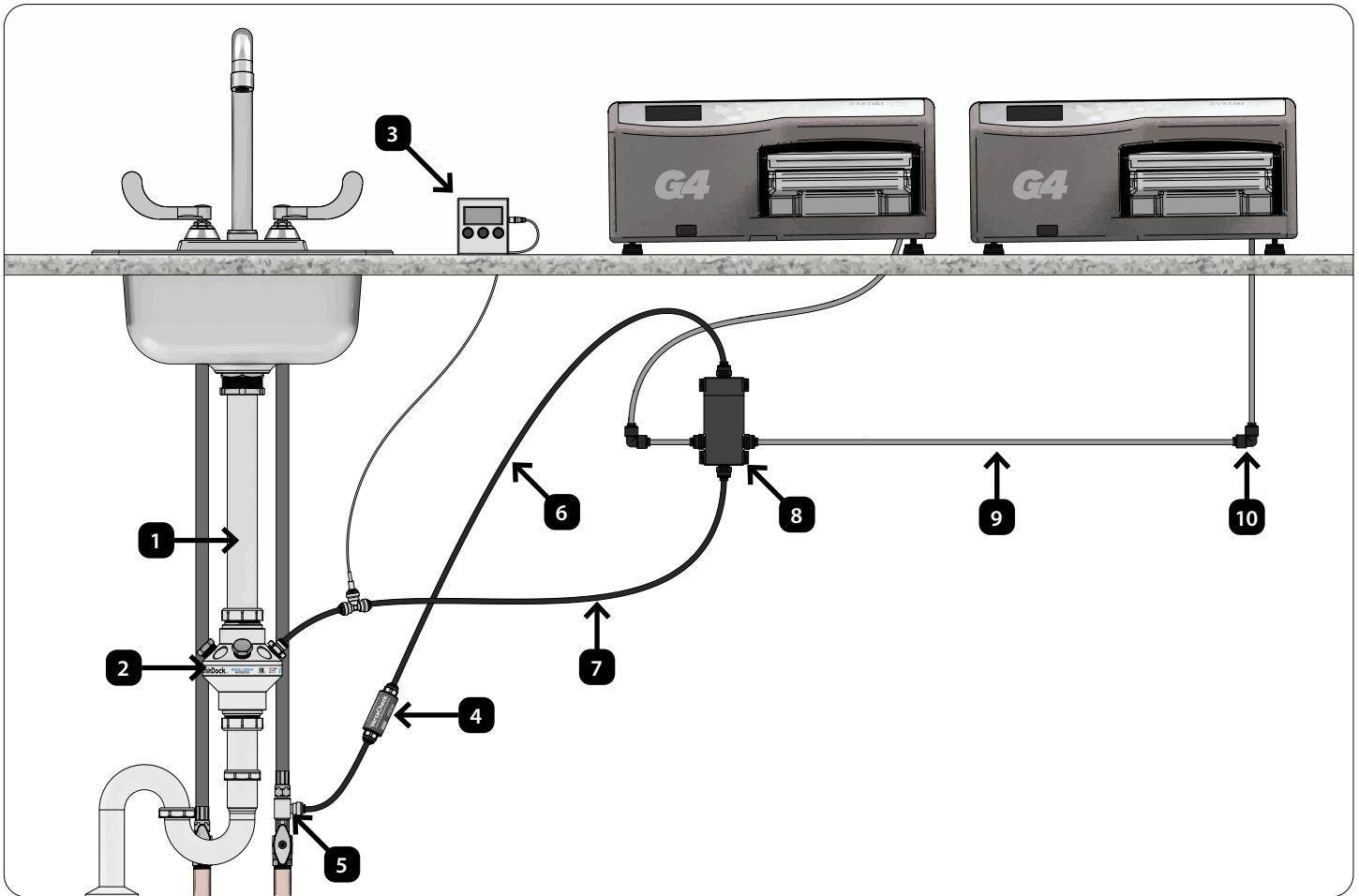
When you receive your STATCOOL, the items listed below will be included. If any of the items are missing, contact your dealer immediately.



- 1** Cold water inlet
- 2** Exhaust wastewater (up to two (2) STATIMs)
- 3** Connection to drain

	Mounting Clips and Screws
	Angle Stop Valve
	VersaCheck[®] QC™
	2 High-Temperature Union Elbows
	High-Temperature Plug
	Thermal Alarm
	Quick-Connect Drain Saddle
	1/4" LLDPE Tubing (5.5 m / 18 ft)
	1/4" High-Temperature Tubing (5.5 m / 18 ft)

Typical Installation



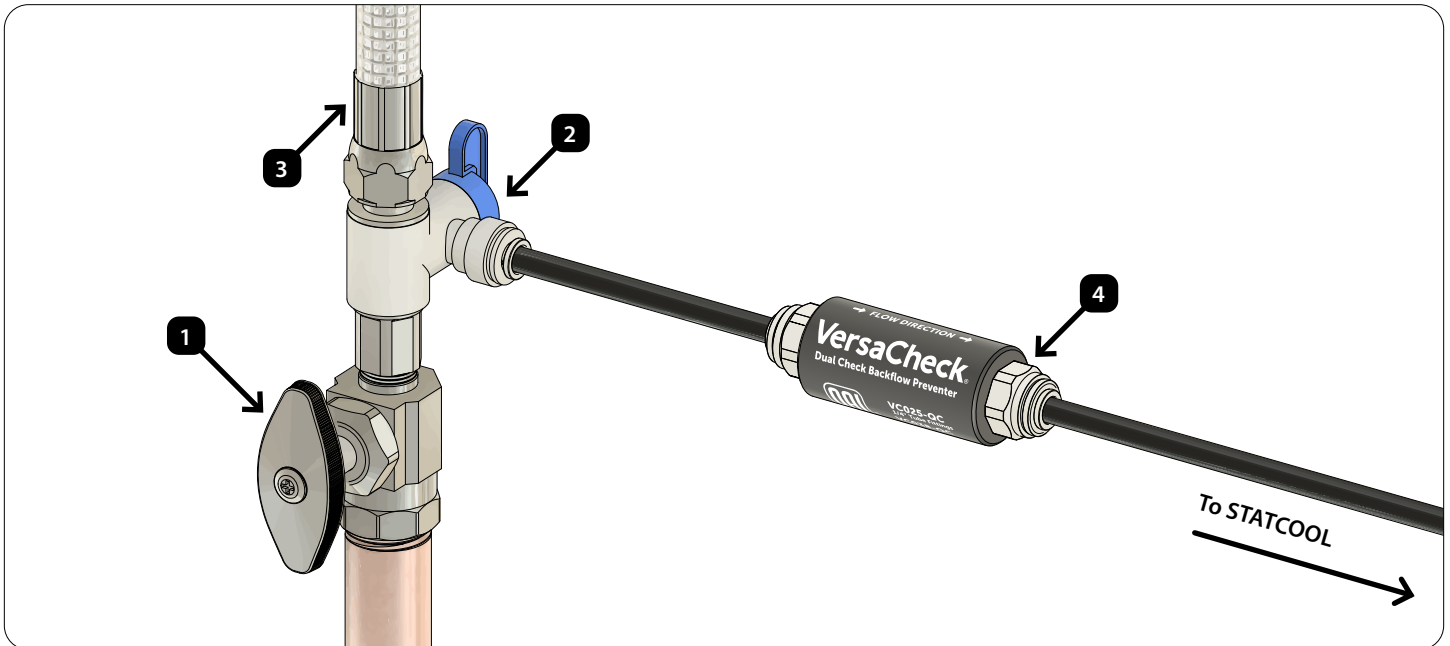
- | | |
|--|---|
| 1 Drain | 6 Cold water supply tubing |
| 2 Quick-Connect Drain Saddle or optional DrainDock® | 7 Exhaust wastewater tubing to drain |
| 3 Thermal Alarm | 8 STATCOOL Unit |
| 4 VersaCheck® QC Backflow Preventer | 9 High-temperature tubing from STATIM |
| 5 Cold water supply valve | 10 Included high-temperature elbow union |

NOTE: The black LLDPE (5.5 m / 18 ft) tubing is used for both the cold water supply connection and the wastewater tubing from STATCOOL unit to drain.

Plumbing Connections

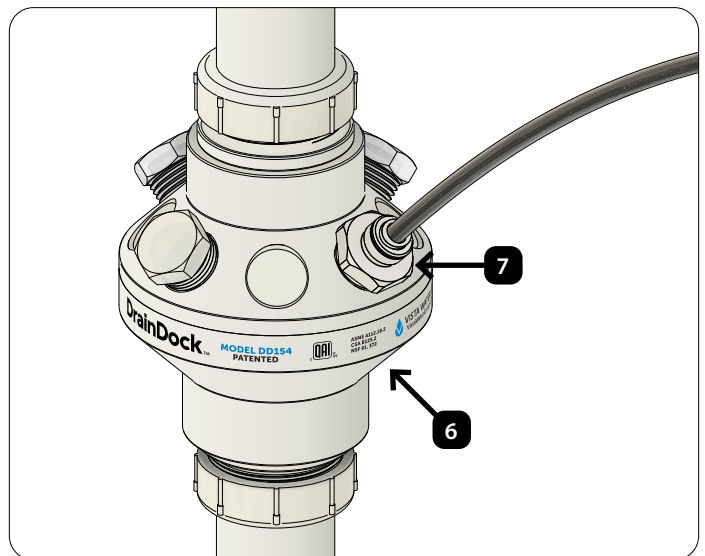
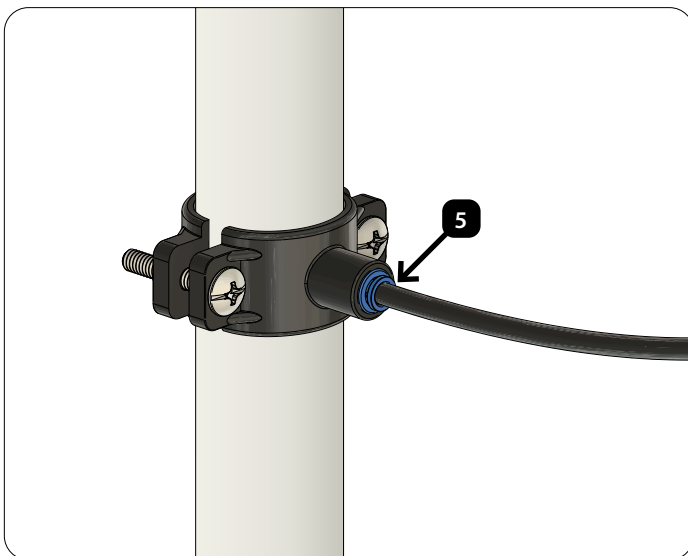
1. Turn off water supply (1). Install the provided angle stop valve (2) onto the cold water line between the stop valve (1) and the braided supply hose (3).
2. From the provided black LLDPE tubing, cut a short piece approximately 5 cm / 2 in and install one end to the angle stop valve (2). Install the other end into the VersaCheck QC (4), ensuring the VersaCheck's flow direction arrows are pointing towards the STATCOOL unit.
Use a sufficient length of the black LLDPE tubing to connect the VersaCheck QC to the STATCOOL cold water inlet.

IMPORTANT! Ensure the tubing is not strained, and that there are no kinks or excess loops in the tubing.



3. Use the provided quick-connect drain saddle (5) or a DrainDock® Multi-Port Drain Adapter (6) with 1/4" quick connect fitting (7) to create a 1/4" drain connection. Make sure the drain connection point is as low as possible while staying above the P-trap.

IMPORTANT! Ensure the tubing is not strained, and that there are no kinks or excess loops in the tubing.



Connecting and Starting the System

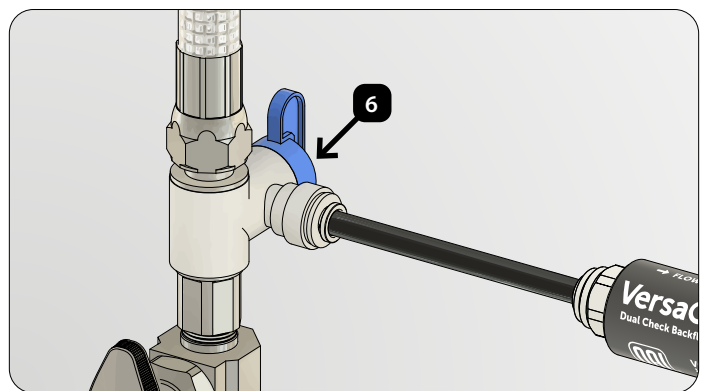
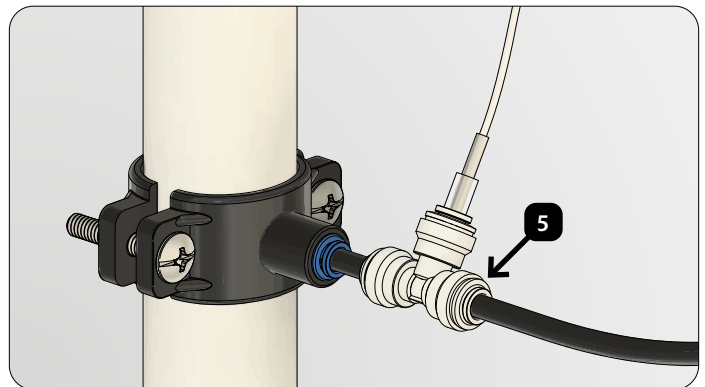
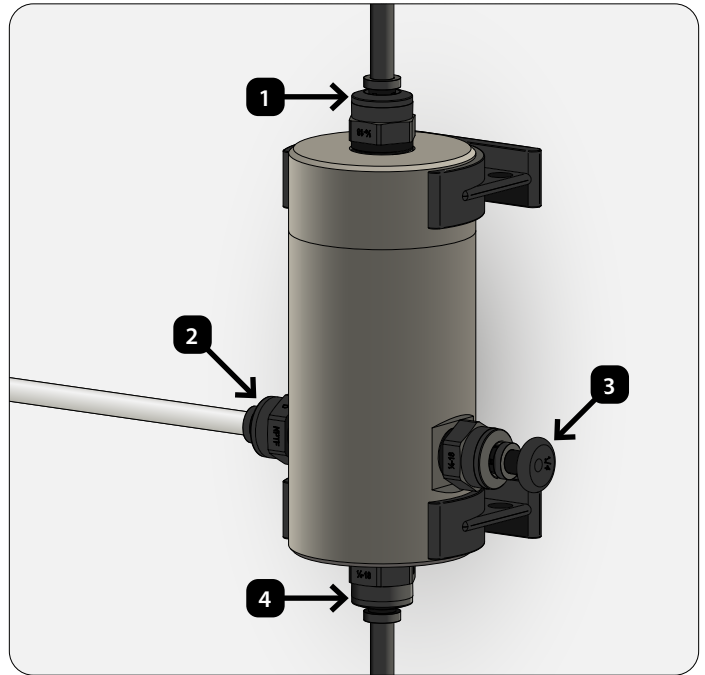
1. Attach the wall clips to the desired surface with the included #8 screws, spaced about 9 cm / 3.5 in apart. The STATCOOL can be mounted vertically or horizontally, but its vertical position must sit between the STATIM and the drain so the condensate line slopes downward, per the STATIM's guidelines.

IMPORTANT! When installing vertically, ensure the STATCOOL is positioned so that the cold water supply port is pointing upwards, while the exhaust waste water line to drain is positioned down towards the drain.

2. Snap the STATCOOL into the wall clips. Connect the black LLDPE tubing from the cold-water supply to the inlet on the top of the unit (1).
3. Attach the included high-temperature tubing from the STATIM (maximum tubing length per STATIM is 2.75 m / 9 ft) to one side inlet of the STATCOOL (2). To connect a second STATIM, remove the plug (3) on the other inlet; otherwise, keep it plugged to prevent steam leaks and burns. Use the elbow unions if needed to prevent tubing kinks.
NOTE: Either side inlet can be used to connect a STATIM.

IMPORTANT! Ensure the tubing is not strained, and that there are no kinks or excess loops in the tubing.

4. Attach the drain line to the bottom outlet (4) and route it to the drain connection. Install the thermal alarm tee (5) inline as close to the drain as possible for the most accurate temperature reading. Complete setup for the thermal alarm (page 7).
NOTE: The thermal alarm can be mounted inside the cabinet using the keyhole slot for hanging or placed inside or on top of the cabinet or counter.
5. Turn on the main water supply and check for leaks around the newly installed angle stop valve (6). Open the angle stop valve and watch for leaks in all newly installed components.
6. **IMPORTANT!** Run two consecutive STATIM cycles to ensure everything is working properly.

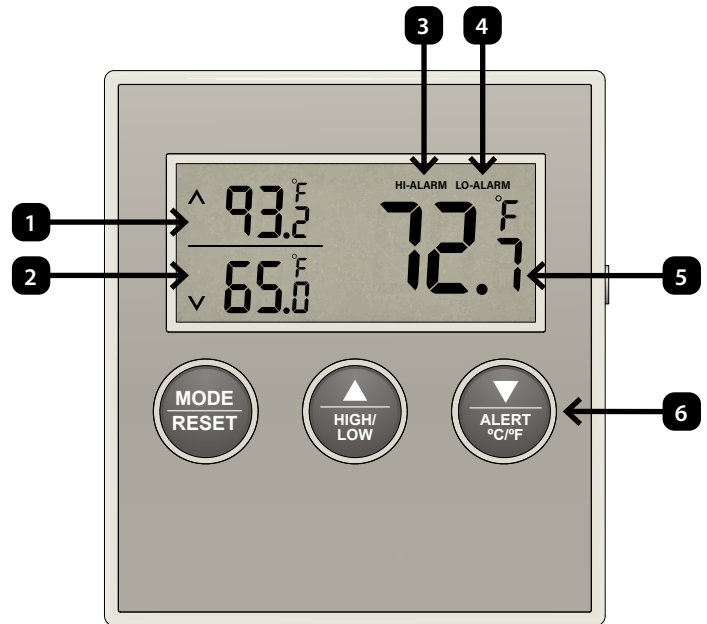


Thermal Alarm Setup

In the scenario that the cold water supply is not turned on, the STATCOOL will not be able to properly cool the STATIM exhaust and runs the risk of melting plumbing. To avoid this potential issue, an electronic thermal alarm is included to monitor drain temperature.

Most plumbing is rated to a maximum temperature of 140°F (60°C). STATCOOL is designed to keep the blended drain temperature well below that.

1. Ensure the unit has a AAA battery installed.
2. Plug the 2 m / 6.5 ft long probe cord into the metal jack on the side of the alarm.
3. Slide the power switch to "On" (on the back of the unit). The screen should turn on and display information as shown to the right.
4. When the alarm is turned "On" for the first time, it will display temperature in Celsius. Press the ALERT °C/°F button once if you want to change to Fahrenheit.
5. The thermal alarm comes with the following presets:
 - › High alarm active and set to 104°F (40°C)
 - › Low alarm active and set to 40°F (4°C)
 - › Temperature scale in Celsius



- 1 Highest recorded temperature
- 2 Lowest recorded temperature
- 3 Indicates a High-Temp alarm is set
- 4 Indicates a Low-Temp alarm is set
- 5 Current temperature
- 6 Control buttons

To set the High-Alarm value:

1. Press the **HIGH/LOW** button once. The bottom of the display will read "HI-SET."
2. Press the **MODE/RESET** button once. The large temperature display will flash.
3. Use the arrow buttons to adjust to the temperature setting. **The recommended High-Alarm setting is 140°F (60°C).**
4. Press the **MODE/RESET** button to confirm your setting. The large temperature display will stay solid indicating it is set. The main display will go back to the normal display after 7 seconds.

To set the Low-Alarm value:

1. Press the **HIGH/LOW** button twice. The bottom of the display will read "LO-SET."
2. Press the **MODE/RESET** button once. The large temperature display will flash.
3. Use the arrow buttons to adjust to the temperature setting. **The recommended Low-Alarm setting is 4C/40F.**
4. Press the **MODE/RESET** button to confirm your setting. The large temperature display will stay solid indicating it is set. The main display will go back to the normal display after 7 seconds.

Using the STATCOOL

Turn the System On and Off

Daily Startup

Ensure the included angle stop valve on the cold water supply is turned on prior to running any STATIM cycles.

Daily Shutdown

It is strongly recommended to close the provided angle stop valve when the office is closed. This will help prevent water damage in the event of a fitting or tube coming loose in the absence of personnel.

Using the Thermal Alarm

The Thermal Alarm should always be powered ON. (The power switch is located on the back of the alarm).

The alarm will sound when the drain temperature reaches the set High-Alarm temperature. The recommended High alarm setting is 140°F (60°C).

The alarm will continue until the temperature cools below the High-Alarm temperature, or you can press the **MODE/RESET** button to silence the alarm.

The Thermal Alarm should always be powered ON. If the alarm is powered OFF, the memory will clear and the High- and Low-Alarm thresholds will revert back to the factory presets. Turning OFF the Thermal Alarm is not advisable. If users forget to turn it back On, the clinic plumbing is not protected by a thermally monitored drain line.

Changing the Thermal Alarm Battery will depend on how many autoclave cycles are run each day. Batteries may need to be changed every 3 to 6 months depending on use. If the LCD display begins to fade or becomes difficult to read, change the battery.

Limited Warranty

The legal manufacturer warrants to the original purchaser that the STATCOOL and STATPURE systems (the "Product"), when new and properly installed, will be free from defects in materials and workmanship under normal use and service for a period of two (2) years from the date of installation.

At its discretion, the distributor SciCan Ltd. and Coltene/ Whaledent Inc. (the "Distributor") will replace any component determined by the legal manufacturer to be defective in materials or workmanship during the warranty period, provided that the Distributor receives written notice of the defect within thirty (30) days after discovery of the failure.

This warranty applies only to Products that are installed, operated, and maintained in accordance with the instructions and guidelines provided in the applicable user manual.

The Distributor shall not be responsible for the cost of field labor or other charges incurred by any party in removing, reinstalling, or servicing the Product or its components unless otherwise expressly authorized in writing by the Distributor.

The remedies described above shall be the purchaser's sole and exclusive remedies under this warranty. The Distributor's liability under this warranty is limited to repair or replacement of defective components at The Distributor's discretion.

This warranty does not apply to consumable items, including filters. This warranty also does not apply to defects or failures resulting from: improper installation, operation, or maintenance; abuse, misuse, negligence, accident, or unauthorized modification; failure to follow the printed instructions, specifications, or guidelines provided by the Distributor; normal wear and tear; damage caused by chemical exposure or adverse water-quality conditions; unauthorized repair, relabeling, or repackaging by any dealer, redistributor, installer, or third party; or installation that does not comply with applicable local codes, ordinances, or accepted trade practices, or moving Product from its original installation location, or used for purposes other than those for which it was designed.

To obtain warranty service, the purchaser must provide proof of purchase and date of installation from an authorized dealer and notify the Distributor or its authorized service provider of the alleged defect. The Distributor may require that defective components be returned prepaid for inspection.

EXCEPT AS EXPRESSLY PROVIDED ABOVE, THE DISTRIBUTOR DISCLAIMS AND EXCLUDES ALL OTHER WARRANTIES, WHETHER EXPRESS OR IMPLIED, INCLUDING BUT NOT LIMITED TO ANY IMPLIED WARRANTIES OF MERCHANTABILITY OR FITNESS FOR A PARTICULAR PURPOSE.

STATCOOL System Information

Thank you for choosing the STATCOOL system for your practice!

The following chart is for necessary information for future reference. Please fill it out completely and keep this manual in a convenient place.

SWC500

Model Number

Authorized Dealer

Manufactured Date (see No. on unit)

Installer Name

Installation Date

Installer Phone

Unit Body Material

Type III, Class 1 Hard Coat Anodized T6061 Aluminum

Max Coolant Water Pressure: 149 psi (10 bar)

Coolant Connection Requirement: 1/4" Push-to-Connect

Drain Connection Requirement: 1/4" Push-to-Connect

Unit Dimensions

5.85" L x 3.21" W x 2.37" D

Unit Weight: 1 lb 5 oz


Shipping Dimensions: 9.75" L x 9.50" W x 4.00" D

Shipping Weight: 2 lb 13 oz

For all service and repair inquiries:

Canada 1-800-870-7777 | techservice.ca@scican.com

United States 1-800-221-3046 | ustechnicianservice@scican.com

Manufactured for:
Dent4You AG 
Bahnhofstrasse 2
CH-9435 Heerbrugg

Distributed by:
SciCan Ltd.
1440 Don Mills Road
Toronto, Ontario M3B 3P9
Canada

Distributed by:
Coltène/Whaledent Inc.
235 Ascot Parkway
Cuyahoga Falls, Ohio 44223
US

STATCOOL is a trademark of Coltène/Whaledent AG. All other trademarks referred to in this manual are the property of their respective owners. This system incorporates proprietary technology and is protected by pending patent applications and associated intellectual property rights, and is provided under exclusive license.

Introduction

STATCOOL est un système breveté conçu pour éliminer les bouteilles de déchets des condenseurs d'autoclaves en refroidissant l'eau de rejet et en l'envoyant automatiquement à l'évacuation.

- › **Protège la plomberie** en réduisant l'exposition de l'évacuation à la chaleur.
- › **Élimine l'accumulation de vapeur et d'humidité** causée par l'entreposage de bouteilles à déchets chaudes dans des armoires fermées.
- › **Améliore la sécurité du personnel** en supprimant la nécessité de manipuler les bouteilles chaudes d'eau usée d'évacuation.
- › **S'intègre parfaitement à l'intérieur de l'armoire** et s'adapte solidement le long de la paroi de l'armoire sous le plan de travail.
- › **Refroidit les eaux usées d'évacuation de** deux autoclaves STATIM maximum.

Informations importantes

Pour les propriétaires de systèmes

Nous recommandons de faire appel à un technicien professionnel ou un plombier ayant de l'expérience avec les cabinets dentaires/médicaux pour réaliser l'installation, étant donné qu'il s'agit d'une interface avec une conduite d'eau froide et une évacuation. Le technicien/plombier doit connaître les codes et techniques de plomberie locaux pour réussir l'installation d'équipements dentaires/médicaux.

IMPORTANT! Si l'installation n'est pas effectuée correctement, des fuites d'eau peuvent se produire et entraîner des dégâts des eaux. Il incombe au propriétaire du système de valider l'utilisation de tous les équipements dans l'environnement où ils sont installés.

ATTENTION! Risque de brûlure. Ne pas faire fonctionner le STATIM sans que l'alimentation en eau froide STATCOOL soit activée. Si l'alimentation en eau froide est COUPÉE pendant que le STATIM fonctionne, le STATCOOL peut devenir chaud et provoquer des brûlures s'il est touché.

IMPORTANT! Le système STATCOOL doit être mis en position fermée à la fin de chaque journée de travail. Voir Utilisation du STATCOOL pour plus de détails.

Pour les installateurs de systèmes

Veuillez lire l'intégralité de ce manuel avant de procéder à l'installation et à l'utilisation, et veuillez toujours respecter les codes de plomberie locaux.

Les systèmes STATCOOL ont été vérifiés uniquement pour l'installation sur les autoclaves STATIM (tous les modèles).

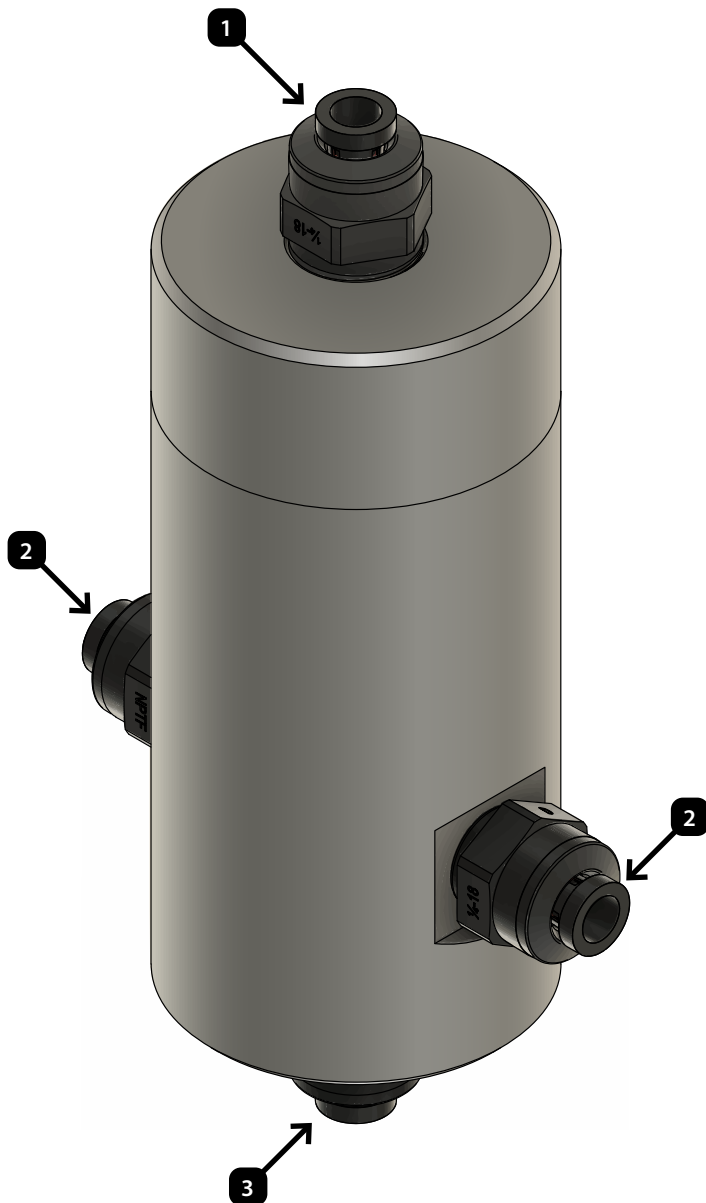
Veuillez vérifier auprès du fabricant des autoclaves d'autres marques avant de les connecter.

⚠ Le STATCOOL doit être installé de sorte que l'unité soit en dessous du niveau de l'autoclave STATIM, mais au-dessus de la connexion à l'adaptateur d'évacuation (via la sellette d'évacuation à connexion rapide incluse ou l'accessoire optionnel DrainDock).


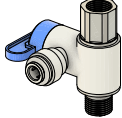






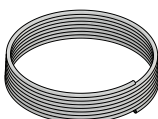
Vérifiez l'absence de fuites et faites fonctionner l'autoclave ou les autoclaves pendant au moins deux cycles consécutifs après l'installation pour vous assurer que le système fonctionne correctement.

Vue d'ensemble de l'unité

Lorsque vous recevrez votre STATCOOL, les éléments énumérés ci-dessous seront inclus. Si l'un de ces éléments manque, contactez immédiatement votre revendeur.



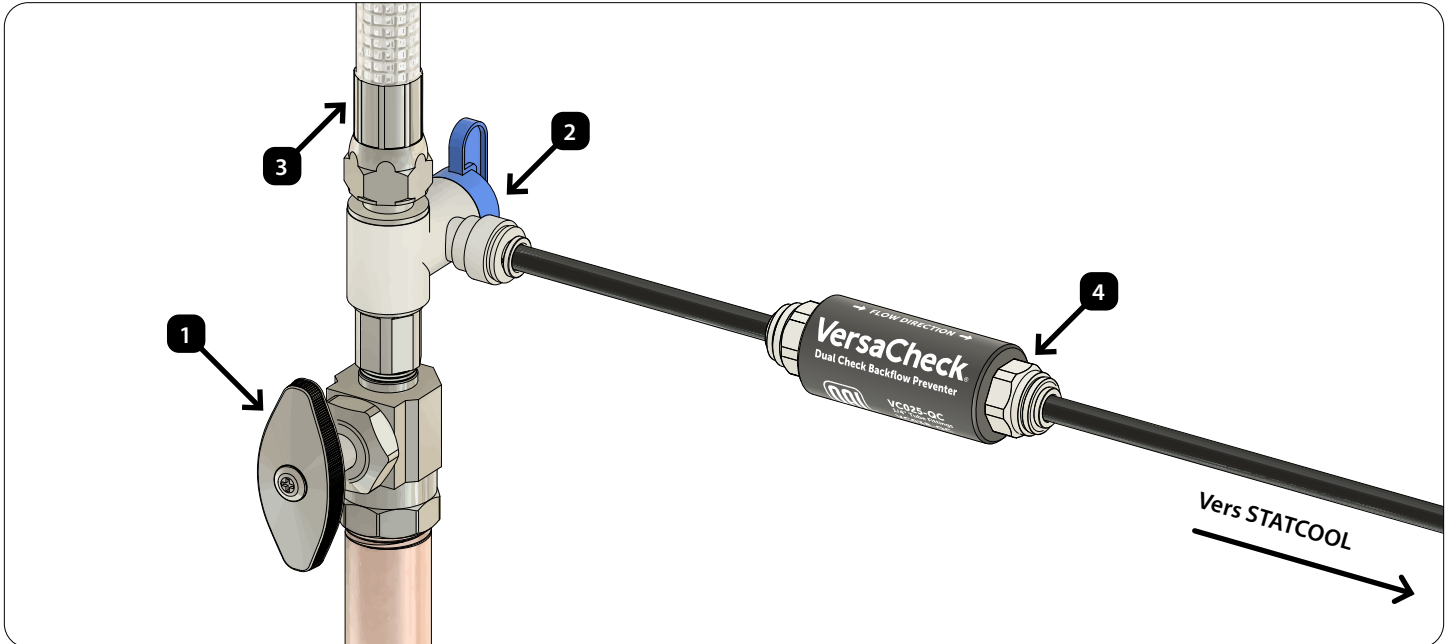
- 1** Entrée d'eau froide
- 2** Eaux usées (jusqu'à deux (2) STATIM)
- 3** Raccordement à l'évacuation

	Clips et vis de montage
	Vanne d'arrêt d'angle
	VersaCheck® QC™
	2 coudes union haute température
	Bouchon haute température
	Alarme thermique
	Selle d'évacuation à connexion rapide
	Tuyau en polyéthylène basse densité linéaire 1/4" (5,5 m / 18 ft)
	Tuyau haute température 1/4" (5,5 m / 18 ft)

Raccords de plomberie

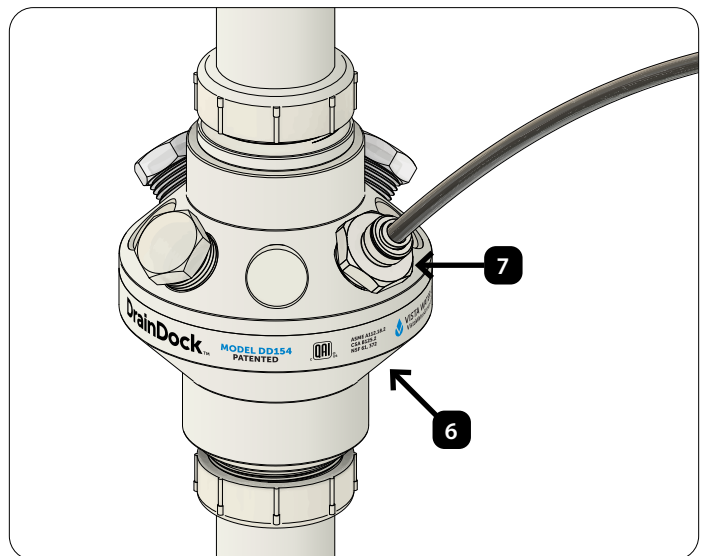
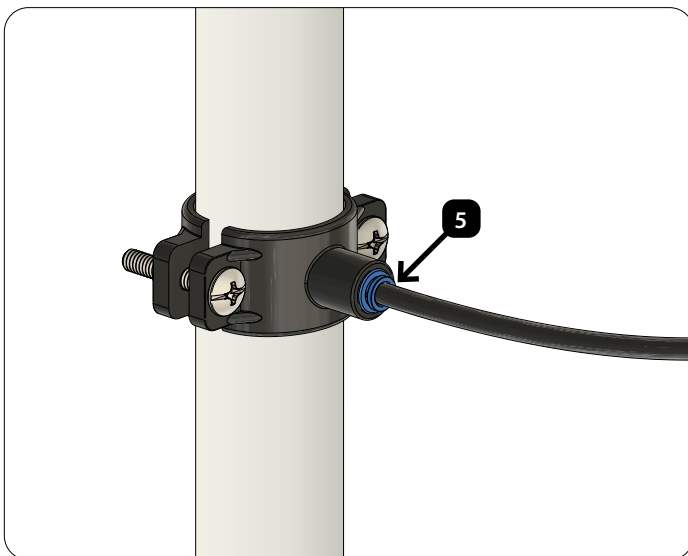
1. Couper l'alimentation en eau (1). Installer la vanne d'arrêt d'angle fournie (2) sur la conduite d'eau froide entre la vanne d'arrêt (1) et le tuyau d'alimentation tressé (3).
2. Dans le tuyau noir en polyéthylène basse densité linéaire fourni, couper un petit morceau d'environ 5 cm / 2 in et installer une extrémité sur la vanne d'arrêt d'angle (2). Installer l'autre extrémité dans le VersaCheck QC (4), en s'assurant que les flèches de direction du VersaCheck sont orientées vers l'unité STATCOOL. Utiliser une longueur suffisante de tuyau noir en polyéthylène basse densité linéaire pour connecter le VersaCheck QC à l'entrée d'eau froide du STATCOOL.

IMPORTANT! S'assurer que le tuyau n'est pas tendu et qu'il n'y a pas de plis ou de boucles excessives dans le tuyau.



3. Utiliser la sellette d'évacuation à connexion rapide fournie (5) ou un adaptateur d'évacuation DrainDock® Multi-Port (6) avec un raccord rapide de 1/4" (7) pour créer un raccordement d'évacuation de 1/4". Veiller à ce que le point de raccordement de l'évacuation soit aussi bas que possible tout en restant au-dessus du siphon P.

IMPORTANT! S'assurer que le tuyau n'est pas tendu et qu'il n'y a pas de plis ou de boucles excessives dans le tuyau.



Connexion et démarrage du système

1. Fixer les clips muraux à la surface souhaitée à l'aide des vis #8 incluses, espacées d'environ 9 cm / 3,5 in. Le STATCOOL peut être monté verticalement ou horizontalement, mais sa position verticale doit se situer entre le STATIM et l'évacuation de manière que la ligne de condensat soit inclinée vers le bas, conformément aux instructions du STATIM.

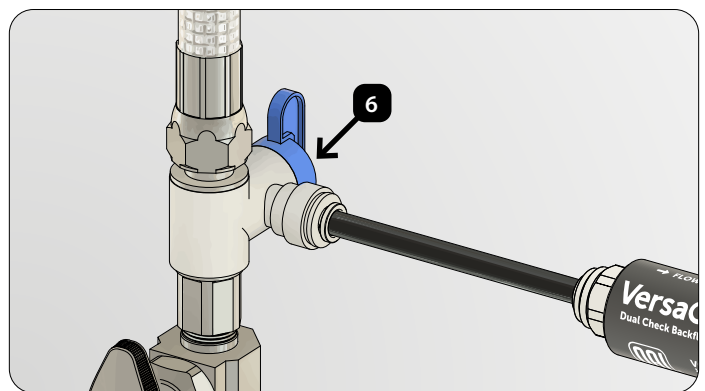
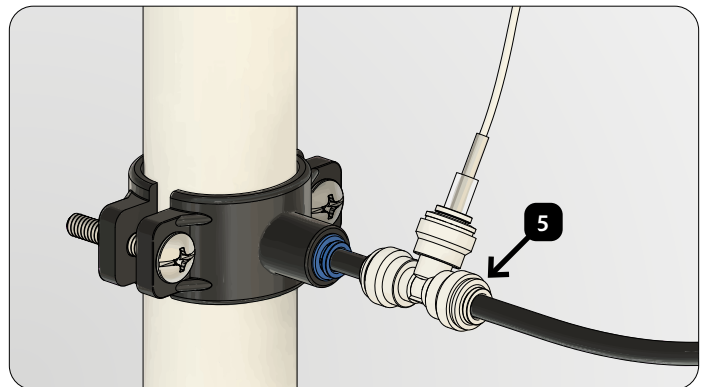
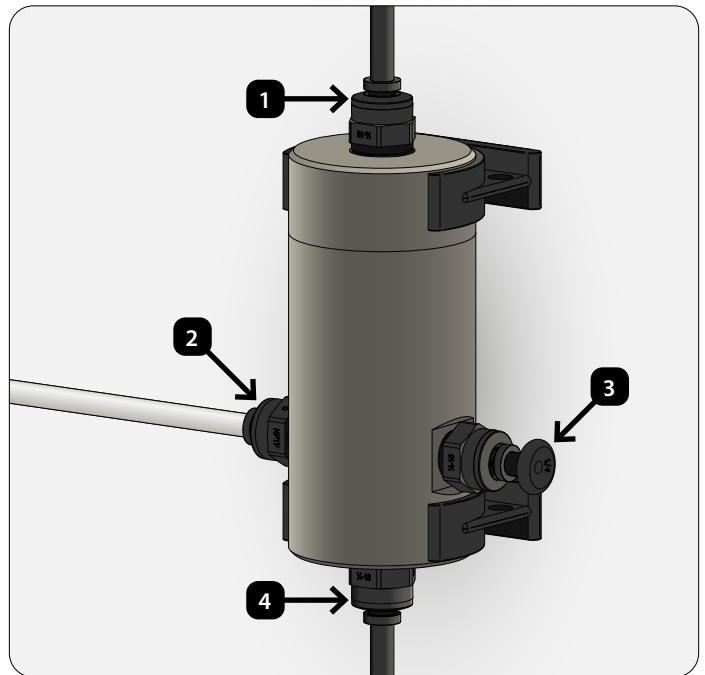
IMPORTANT! En cas d'installation verticale, veiller à ce que le STATCOOL soit positionné de sorte que l'orifice d'alimentation en eau froide soit orienté vers le haut, tandis que la conduite d'évacuation des eaux usées est positionnée vers le bas, en direction des canalisations.

2. Enclencher le STATCOOL dans les clips muraux. Raccorder le tuyau noir en polyéthylène basse densité linéaire de l'alimentation en eau froide à l'entrée située sur le dessus de l'unité (1).
3. Fixer le tuyau haute température fourni du STATIM (la longueur maximale du tuyau par STATIM est de 2,75 m / 9 ft) à une entrée latérale du STATCOOL (2). Pour raccorder un deuxième STATIM, retirer le bouchon (3) de l'autre entrée; sinon, la maintenir bouchée pour éviter les fuites de vapeur et les brûlures. Utiliser les raccords coudés si nécessaire pour éviter que les tuyaux ne se plient. **NOTE :** n'importe laquelle des deux entrées latérales peut être utilisée pour connecter un STATIM.

IMPORTANT! S'assurer que le tuyau n'est pas tendu et qu'il n'y a pas de plis ou de boucles excessives dans le tuyau.

4. Fixer la conduite d'évacuation à la sortie inférieure (4) et la faire aller jusqu'au raccordement d'évacuation. Installer le té d'alarme thermique (5) en ligne aussi près que possible de l'évacuation pour obtenir la prise de température la plus précise possible. Compléter la configuration de l'alarme thermique (page 7). **NOTE :** l'alarme thermique peut être montée à l'intérieur de l'armoire à l'aide du trou en poire pour être suspendue ou placée à l'intérieur ou sur le dessus de l'armoire ou du plan de travail.
5. Ouvrir l'alimentation principale en eau et vérifier qu'il n'y a pas de fuites autour de la vanne d'arrêt d'angle nouvellement installée (6). Ouvrir la vanne d'arrêt d'angle et vérifier l'absence de fuites au niveau de tous les composants nouvellement installés.

6. **IMPORTANT!** Exécuter deux cycles STATIM consécutifs pour s'assurer que tout fonctionne correctement.

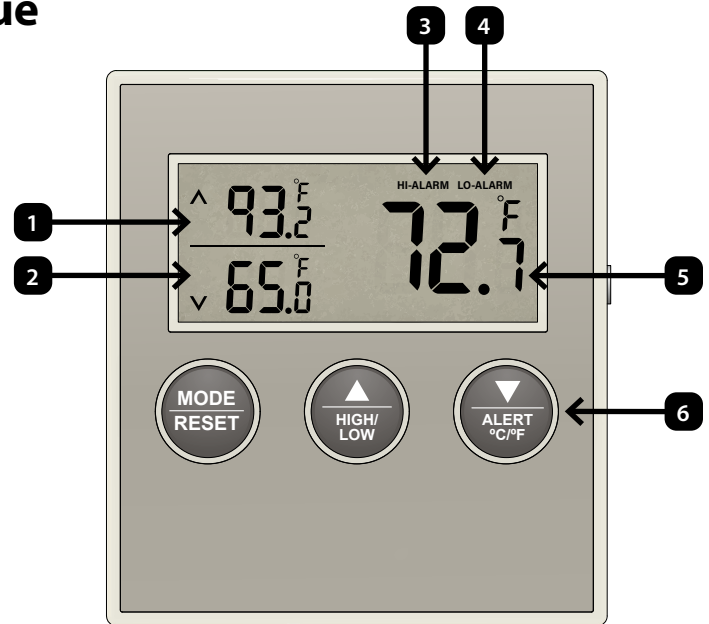


Configuration de l'alarme thermique

Dans le cas où l'alimentation en eau froide n'est pas activée, le STATCOOL ne sera pas en mesure de refroidir correctement les rejets du STATIM et risque de faire fondre la plomberie. Pour éviter ce problème potentiel, une alarme thermique électronique est incluse pour surveiller la température de l'évacuation.

La plupart des installations sanitaires sont conçues pour une température maximale de 60 °C (140 °F). STATCOOL est conçu pour maintenir la température de l'évacuation mixte bien en dessous de ce seuil.

1. S'assurer que l'appareil est équipé d'une pile AAA.
2. Brancher le cordon de la sonde, d'une longueur de 2 m / 6,5 ft, dans la prise métallique située sur le côté de l'alarme.
3. Faire glisser l'interrupteur d'alimentation sur « On » (à l'arrière de l'appareil). L'écran doit s'allumer et afficher les informations indiquées à droite.
4. Lorsque l'alarme est mise en marche pour la première fois, elle affiche la température en degrés Celsius. Appuyer une fois sur la touche ALERT °C/°F pour passer en degrés Fahrenheit.
5. L'alarme thermique est livrée avec les préréglages suivants :
 - › Alarme haute active et réglée sur 40 °C (104 °F)
 - › Alarme basse active et réglée sur 4 °C (40 °F)
 - › Échelle de température en Celsius



- 1 Température la plus élevée enregistrée
- 2 Température la plus basse enregistrée
- 3 Indique qu'une alarme de température haute est activée
- 4 Indique qu'une alarme de température basse est activée
- 5 Température actuelle
- 6 Boutons de commande

Pour régler la valeur de l'alarme haute :

1. Appuyer une fois sur la touche **HIGH/LOW**. Le bas de l'écran indique « HI-SET ».
2. Appuyer une fois sur la touche **MODE/RESET**. Le grand affichage de la température clignote.
3. Utiliser les touches fléchées pour régler la température. **Le réglage recommandé pour l'alarme haute est 60°C/140°F.**
4. Appuyer sur la touche **MODE/RESET** pour confirmer votre réglage. Le grand affichage de la température reste fixe pour indiquer que cette dernière est réglée. L'écran principal revient à l'affichage normal au bout de 7 secondes.

Pour régler la valeur de l'alarme basse :

1. Appuyer deux fois sur la touche **HIGH/LOW**. La partie inférieure de l'écran indique « LO-SET ».
2. Appuyer une fois sur la touche **MODE/RESET**. Le grand affichage de la température clignote.
3. Utiliser les touches fléchées pour régler la température. **Le réglage recommandé pour l'alarme basse est 4C/40F.**
4. Appuyer sur la touche **MODE/RESET** pour confirmer votre réglage. Le grand affichage de la température reste fixe pour indiquer que cette dernière est réglée. L'écran principal revient à l'affichage normal au bout de 7 secondes.

Utilisation du STATCOOL

Mise en marche et arrêt du système

Démarrage quotidien

S'assurer que la vanne d'arrêt d'angle incluse sur l'alimentation en eau froide est activée avant d'exécuter tout cycle STATIM.

Arrêt quotidien

Il est fortement recommandé de fermer la vanne d'arrêt d'angle fournie lorsque le bureau est fermé. Cela permet d'éviter les dégâts des eaux en cas de desserrage d'un raccord ou d'un tuyau en l'absence de personnel.

Utilisation de l'alarme thermique

L'alarme thermique doit toujours être SOUS TENSION. (L'interrupteur d'alimentation est situé à l'arrière de l'alarme).

L'alarme se déclenche lorsque la température de l'évacuation atteint la température d'alarme haute définie. Le réglage recommandé pour l'alarme haute est 60°C (140°F).

L'alarme continue jusqu'à ce que la température descende en dessous de la température d'alarme haute, ou vous pouvez appuyer sur le bouton **MODE/RESET** pour arrêter l'alarme.

L'alarme thermique doit toujours être SOUS TENSION. Si l'alarme est mise HORS TENSION, la mémoire s'efface et les seuils d'alarme haute et basse reviennent aux valeurs pré-réglées en usine. Il est DÉCONSEILLÉ de désactiver l'alarme thermique. Si les utilisateurs oublient de la remettre en marche, la tuyauterie de la clinique n'est pas protégée par une conduite d'évacuation à surveillance thermique.

Le remplacement de la pile de l'alarme thermique dépend du nombre de cycles d'autoclave effectués chaque jour. Les piles peuvent devoir être remplacées tous les 3 à 6 mois en fonction de l'utilisation. Si l'écran LCD commence à s'estomper ou devient difficile à lire, changer la pile.

Garantie limitée

Le fabricant légal garantit à l'acheteur original que les systèmes STATCOOL et STATPURE (le « Produit »), lorsqu'ils sont neufs et correctement installés, sont exempts de défauts de matériaux et de fabrication dans des conditions normales d'utilisation et d'entretien pendant une période de deux (2) ans à compter de la date d'installation.

À sa discrétion, le distributeur SciCan Ltd. et Coltene/ Whaledent Inc. (le « Distributeur ») remplacera tout composant considéré par le fabricant légal comme présentant un défaut de matériel ou de fabrication pendant la période de garantie, à condition que le Distributeur reçoive un avis écrit du défaut dans les trente (30) jours suivant la découverte de la défaillance.

Cette garantie ne s'applique qu'aux produits qui sont installés, utilisés et entretenus conformément aux instructions et directives fournies dans le manuel d'utilisation applicable.

Le Distributeur ne sera pas responsable du coût de la main-d'œuvre sur le terrain ou d'autres frais encourus par toute partie pour retirer, réinstaller ou réparer le Produit ou ses composants, sauf autorisation écrite expresse du Distributeur.

Les recours décrits ci-dessus sont les seuls et uniques recours de l'acheteur dans le cadre de cette garantie. La responsabilité du Distributeur au titre de la présente garantie est limitée à la réparation ou au remplacement des composants défectueux, à la discrétion du Distributeur.

Cette garantie ne s'applique pas aux articles consommables, y compris les filtres. Cette garantie ne s'applique pas non plus aux défauts ou défaillances résultant de ce qui suit : une installation, un fonctionnement ou un entretien inadéquats; un abus, une mauvaise utilisation, une négligence, un accident ou une modification non autorisée; le non-respect des instructions imprimées, des spécifications ou des directives fournies par le Distributeur; l'usure normale; les dommages causés par l'exposition à des produits chimiques ou par des conditions défavorables de qualité de l'eau; une réparation, un réétiquetage ou un reconditionnement non autorisés effectués par un revendeur, un redistributeur, un installateur ou un tiers; une installation non conforme aux codes et ordonnances locaux applicables, ou aux pratiques commerciales acceptées; ou le déplacement du Produit de son lieu d'installation d'origine, ou son utilisation à des fins autres que celles pour lesquelles il a été conçu.

Pour bénéficier de la garantie, l'acheteur doit fournir la preuve d'achat et date d'installation provenant d'un revendeur agréé et informer le Distributeur ou son prestataire de services agréé du défaut allégué. Le Distributeur peut exiger que les composants défectueux soient renvoyés en port payé pour inspection.

SAUF DANS LES CAS EXPRESSÉMENT PRÉVUS CI-DESSUS, LE DISTRIBUTEUR REJETTE ET EXCLUT TOUTE AUTRE GARANTIE, EXPRESSE OU IMPLICITE, Y COMPRIS, MAIS SANS S'Y LIMITER, TOUTE GARANTIE IMPLICITE DE QUALITÉ MARCHANDE OU D'ADÉQUATION À UN USAGE PARTICULIER.

Informations relatives au système STATCOOL

Merci d'avoir choisi le système STATCOOL pour votre cabinet!

Le tableau suivant est destiné à fournir des informations nécessaires pour référence future. Remplissez-le entièrement et conservez ce manuel dans un endroit pratique.

SWC500

Numéro de modèle

Distributeur agréé

Date de fabrication (voir n sur l'unité)

Nom de l'installateur

Date d'installation

Téléphone de l'installateur

Matériau du corps de l'unité

Type III, Classe 1 Aluminium T6061 anodisé à couche dure

Pression maximale de l'eau de refroidissement : 149 psi (10 bar)

Exigences en matière de connexion au liquide de refroidissement : Raccord à emboîtement 1/4"

Exigences en matière de raccordement d'évacuation : Raccord à emboîtement 1/4"

Dimensions de l'unité

14,85 x 8,15 x 6,02 cm (L x l x P)

Poids unitaire : 595,34 g


Dimensions d'expédition : 24,77 x 24,13 x 10,16 cm (L x l x P)

Poids d'expédition : 1,28 kg

Pour toute demande d'entretien ou de réparation :

Canada 1-800-870-7777 | techservice.ca@scican.com

États-Unis d'Amérique 1-800-221-3046 | ustechnicianservice@scican.com

Fabriqué pour : 
Dent4You
AGBahnhofstrasse 2
CH-9435 Heerbrugg

Distribué par :
SciCan Ltd.
1440 Don Mills Road
Toronto, Ontario M3B 3P9
Canada

Distribué par :
Coltène/Whaledent Inc.
235 Ascot Parkway
Cuyahoga Falls, Ohio 44223
États-Unis d'Amérique

STATCOOL est une marque déposée de Coltène/Whaledent AG. Toutes les autres marques citées dans ce manuel sont la propriété de leurs détenteurs respectifs. Ce système intègre une technologie exclusive et est protégé par des demandes de brevet en instance ainsi que par les droits de propriété intellectuelle associés; il est fourni sous licence exclusive.